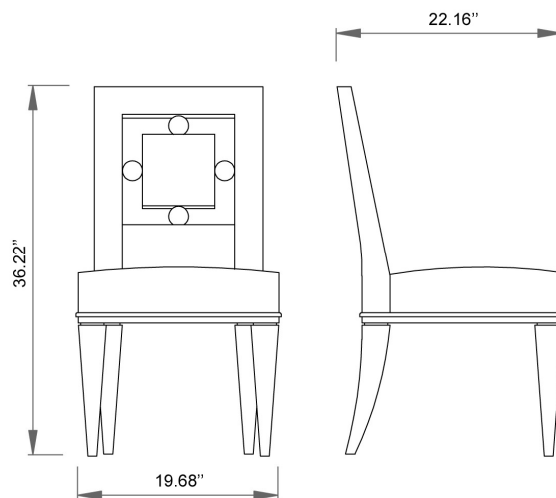




RIO COLLECTION

Lagoa chair

Ref : RIO-07-finishing option



GENERAL INFO

Beech frame, seat and back upholstered with a woven wicker like fabric.

AVAILABLE FINISHING OPTIONS

007 Wenge tinted beech wood with glossy varnish
003 Glossy black lacquer
012 Black lacquer with satin varnish

DIMENSIONS

Height : 36.22"
Seat height : 17.95"
Width : 19.68"
Depth : 22.16"

COM REQUIREMENTS

Plain fabric : 2 Lm
Patterned fabric : in order for the repeat
Leather : 3,20 m²

Custom made options : other sizes, materials and colors are available upon request.

PINTO
PARIS